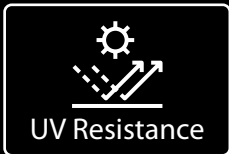
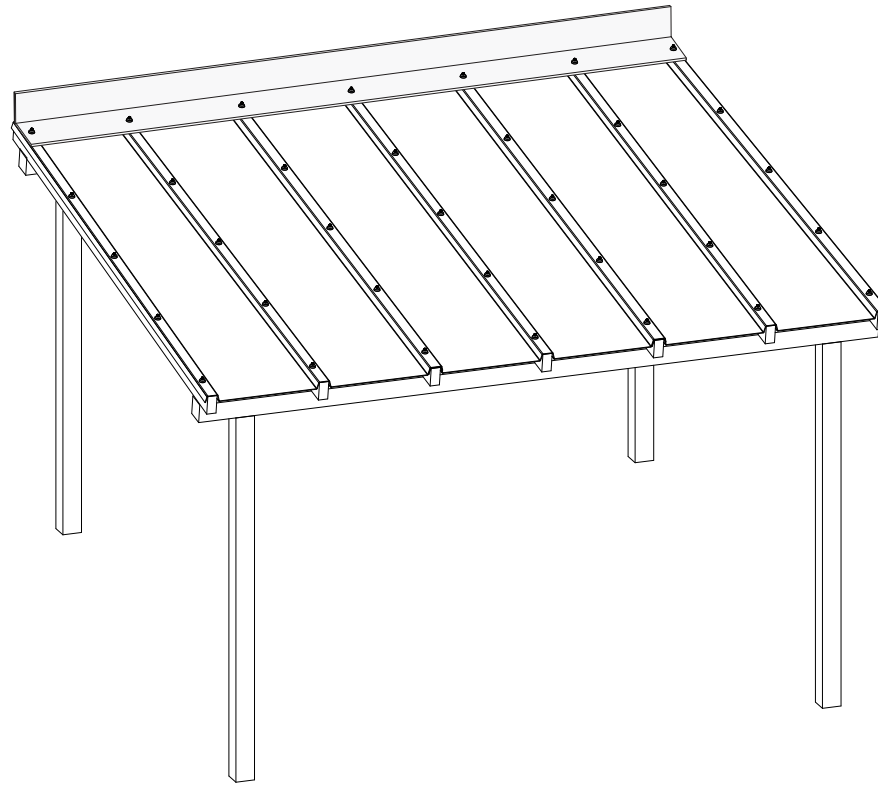




EZ Glaze™ | Installation Guide



UV Resistance



Snow Load



Wind Resistance



Aesthetics



Easy To Install



EZ Glaze™ - Product Page 



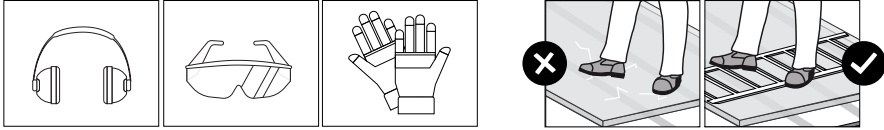
Installations video 



palram.com/us 

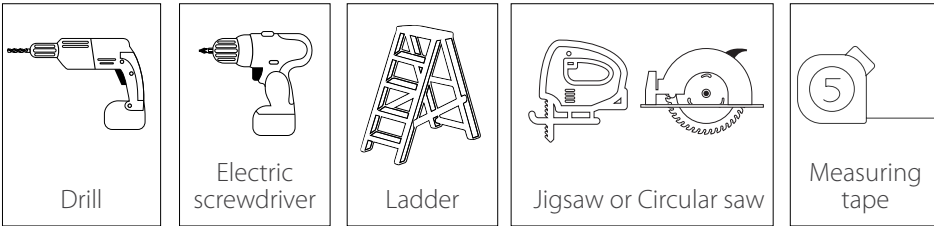
Installation

Recommended Safety Equipment

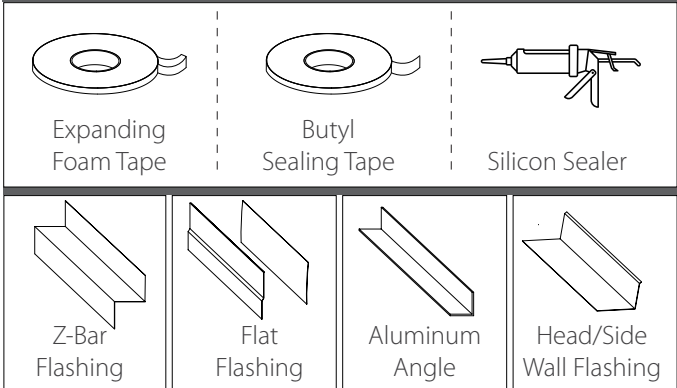


Do not step directly on the sheets between the purlins!
 When installing EZ Glaze or doing maintenance work, always use ladders or crawl boards, supported by minimum three roof structural elements.

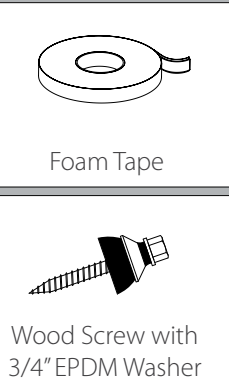
Required Tools



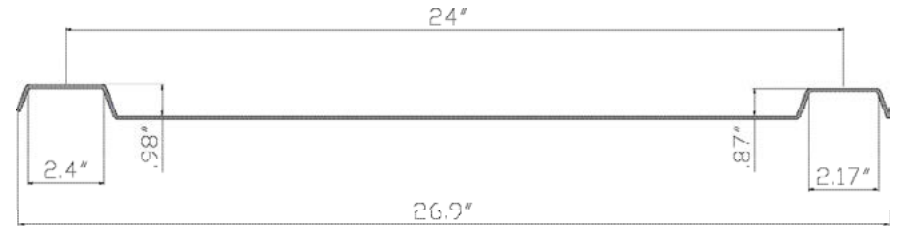
Accessories - Supplied by others



By Palram



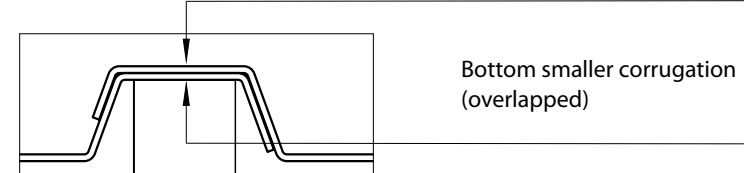
Profile drawing



Overlapping

One side of the panel corrugation is larger than the opposite side panel corrugation.

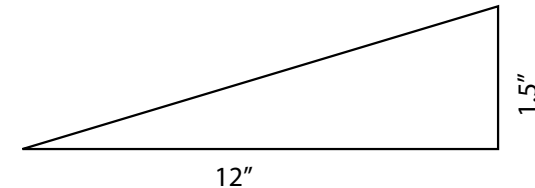
Top corrugation (Overlapping) is larger than the lower one



Bottom smaller corrugation (overlapped)

Minimum Roof Slope

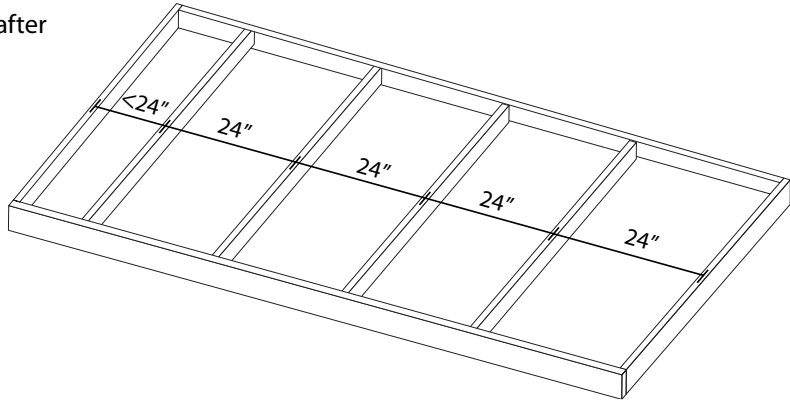
To ensure proper water runoff, pitch should be at least 12.5% (1.5" rise over 12" run).



Installation Preparation

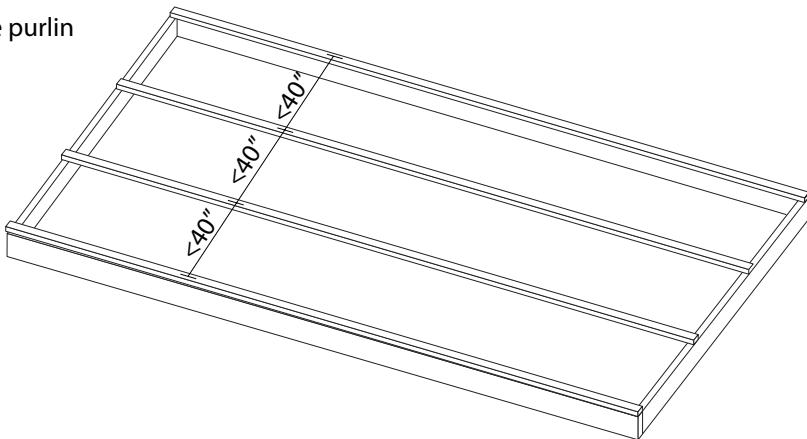
* Measure and spacing

Measure rafter spacing



- To install EZ Glaze directly on rafters, the inner rafters must be 24" on center.
- If end rafters are less than 24" on center, then the end roof panels must be cut to proper width before installation (see typical finishing details in the last page).
- Make sure the rafters are perfectly perpendicular to the beams/wall.
- Max load for 24" rafter spacing = 80 psf.

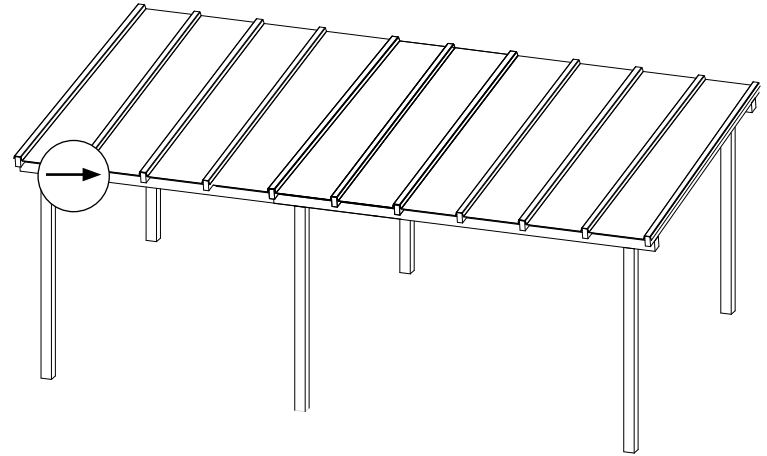
Measure purlin spacing



- The maximum distance between horizontal purlins for EZ Glaze is 40" on centers.
- Max load for 40" purlin spacing = 60 psf.

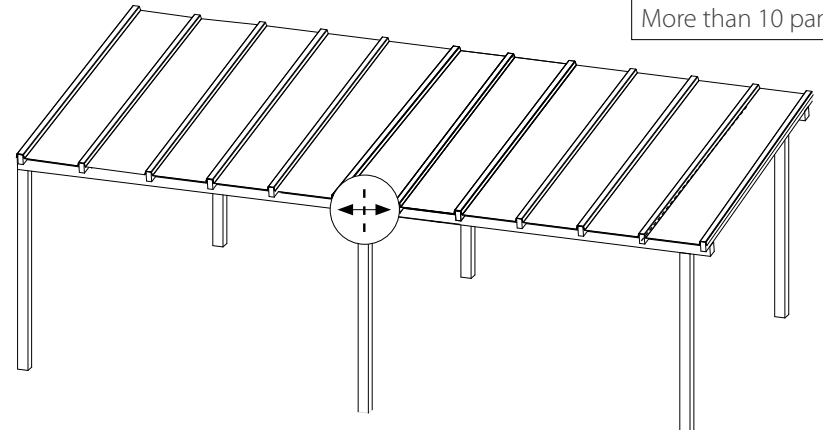
* EZ Glaze - Installation direction recommendation

Up to 10 panels



For 10 panels or less, start on one end of the structure and work across.

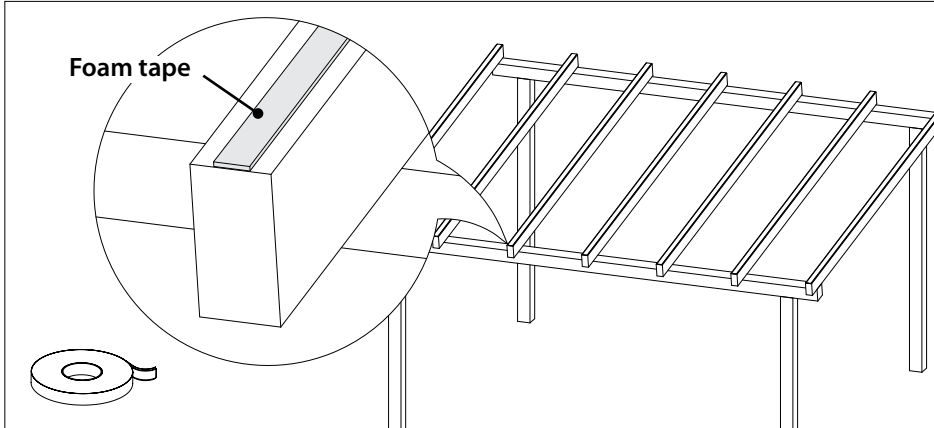
More than 10 panels



For more than 10 panels, start in the center of the structure and work out in both directions.

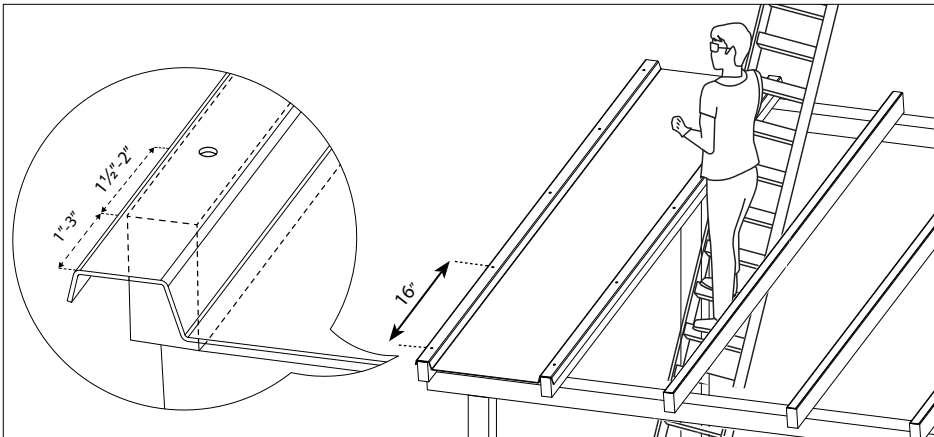
Installation

1 Foam tape application



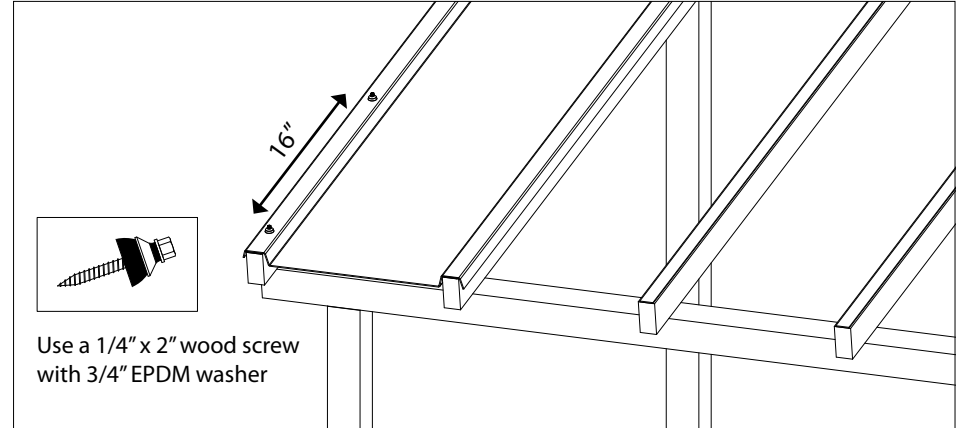
Applying foamed tape on each rafter will reduce friction.

2 Attaching the first EZ Glaze panel



- Install the first EZ Glaze panel on the rafters, leaving 1"-3" overhang.
- Drill 3/8" holes along the outer corrugation, every 16".
- First and last pre-drilled holes should be located 1 1/2"-2" from the rafter's top and bottom edges.

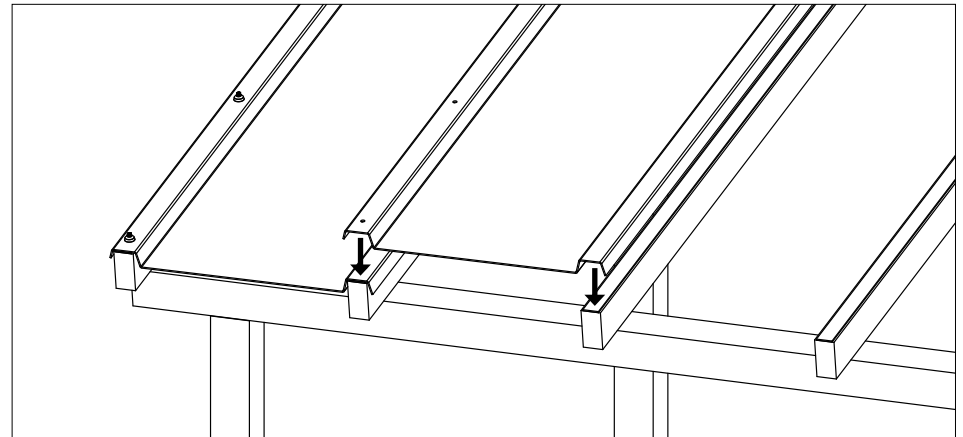
3 Attaching the first EZ Glaze panel



Use a 1/4" x 2" wood screw with 3/4" EPDM washer

Attach the first EZ Glaze panel's outer corrugation, using specified screws and washers through the pre-drilled holes. Start at the bottom edge and work your way up.

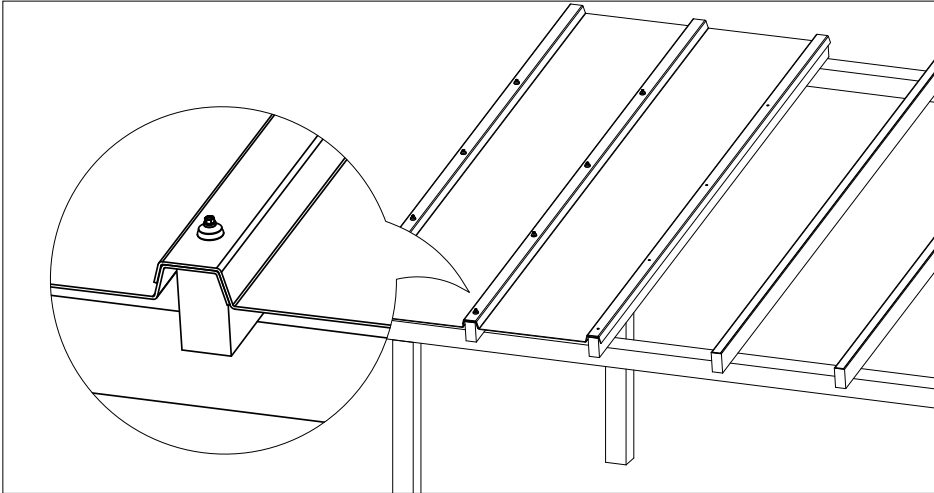
4 Attaching the second EZ Glaze panel



- Attach the second panel, overlapping the first one.
- Drill 3/8" holes through **both** panels on the lateral overlap, every 16".

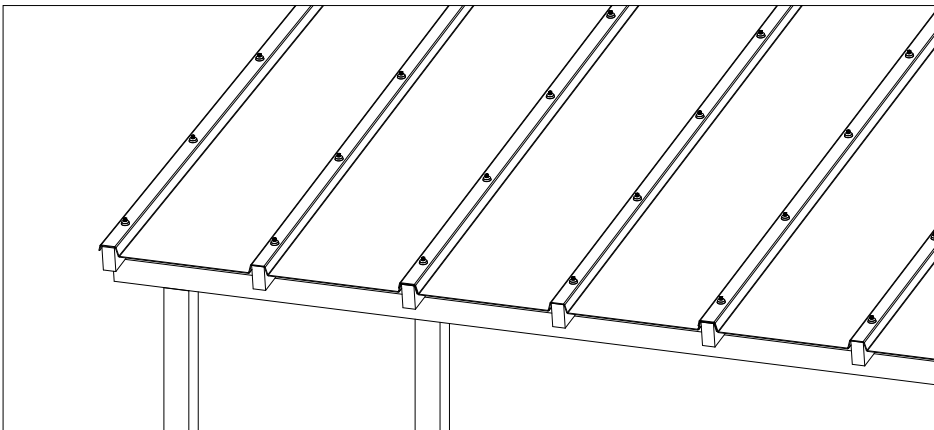
Installation (Flashing accessories supplied by others)

5 Attaching the second EZ Glaze panel



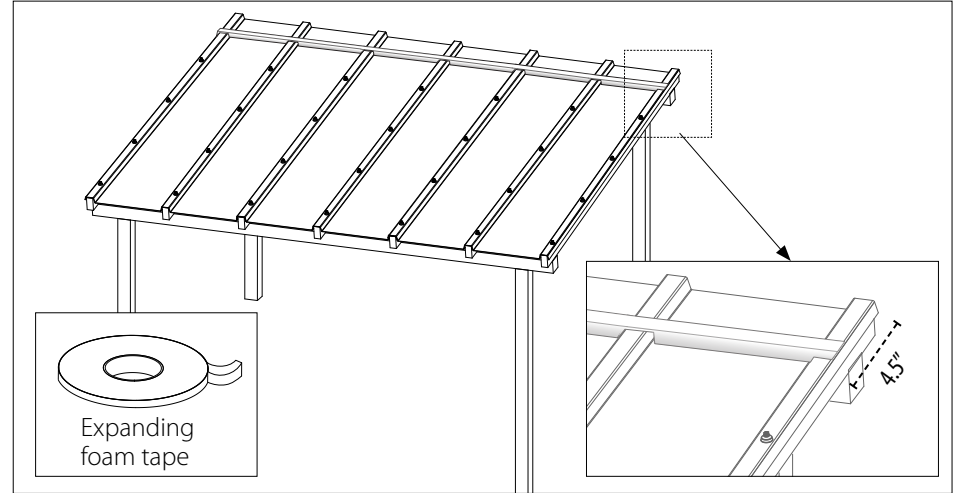
Using specified fasteners, attach the panels to the structure by fastening through the pre-drilled holes. Start at the bottom edge and work your way up.

6 Completing the installation



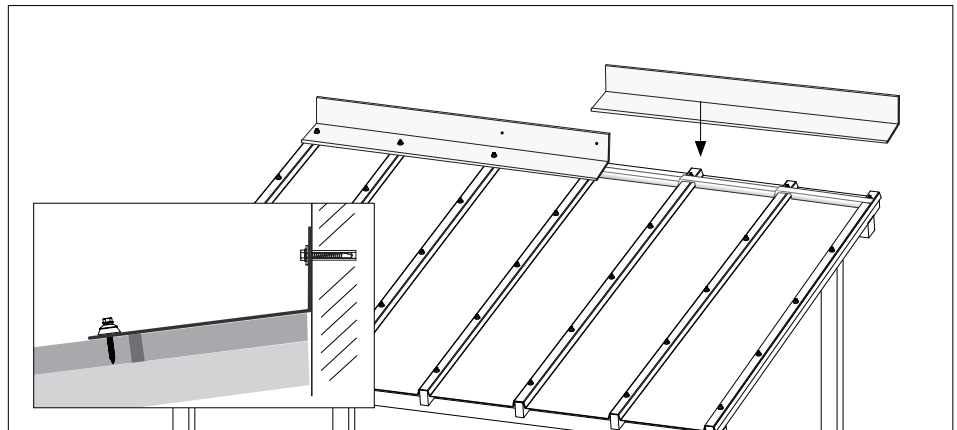
Repeat steps 4 & 5 with the remaining panels.

7 Applying Expanding foam tape



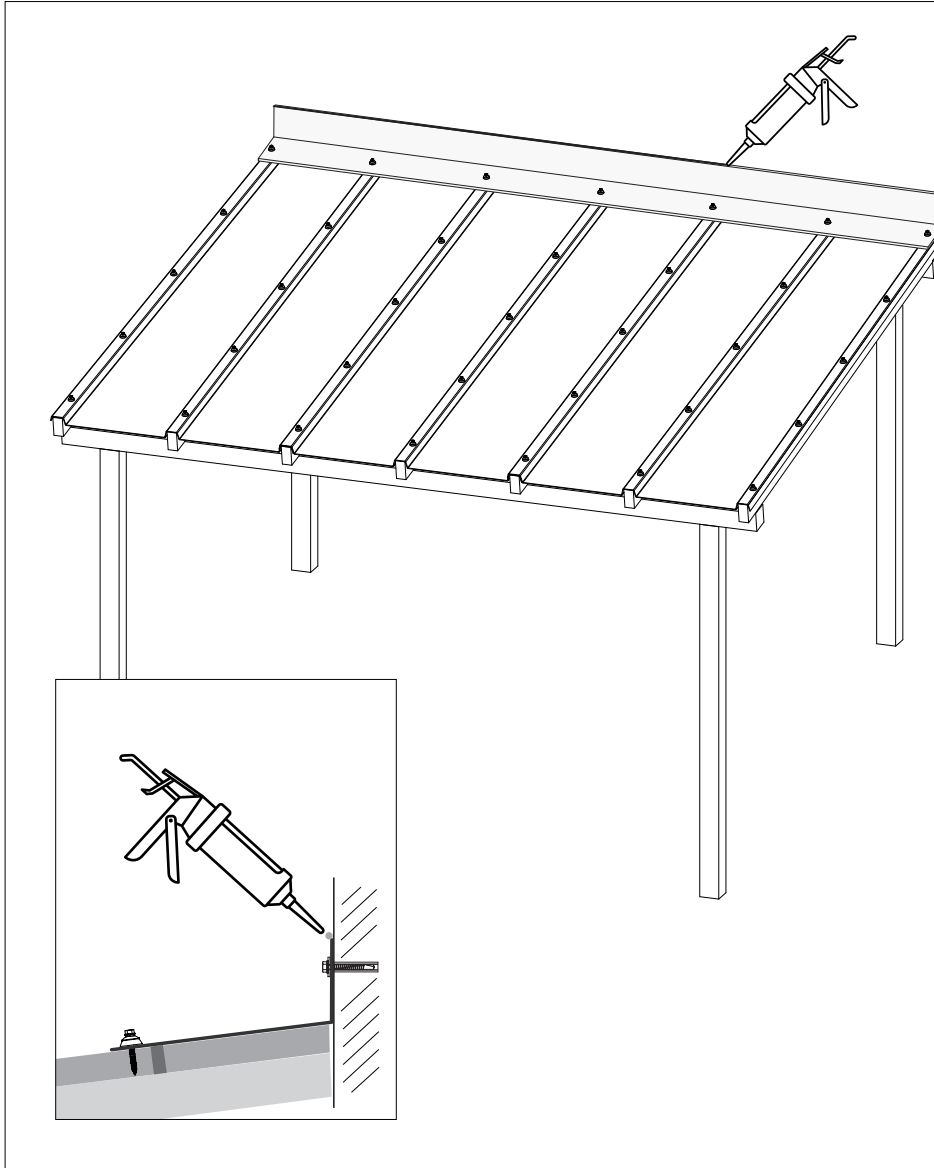
Expanding foam tape must expand to a dimension no less than 1.75".

8 Installing Head Wall Flashing

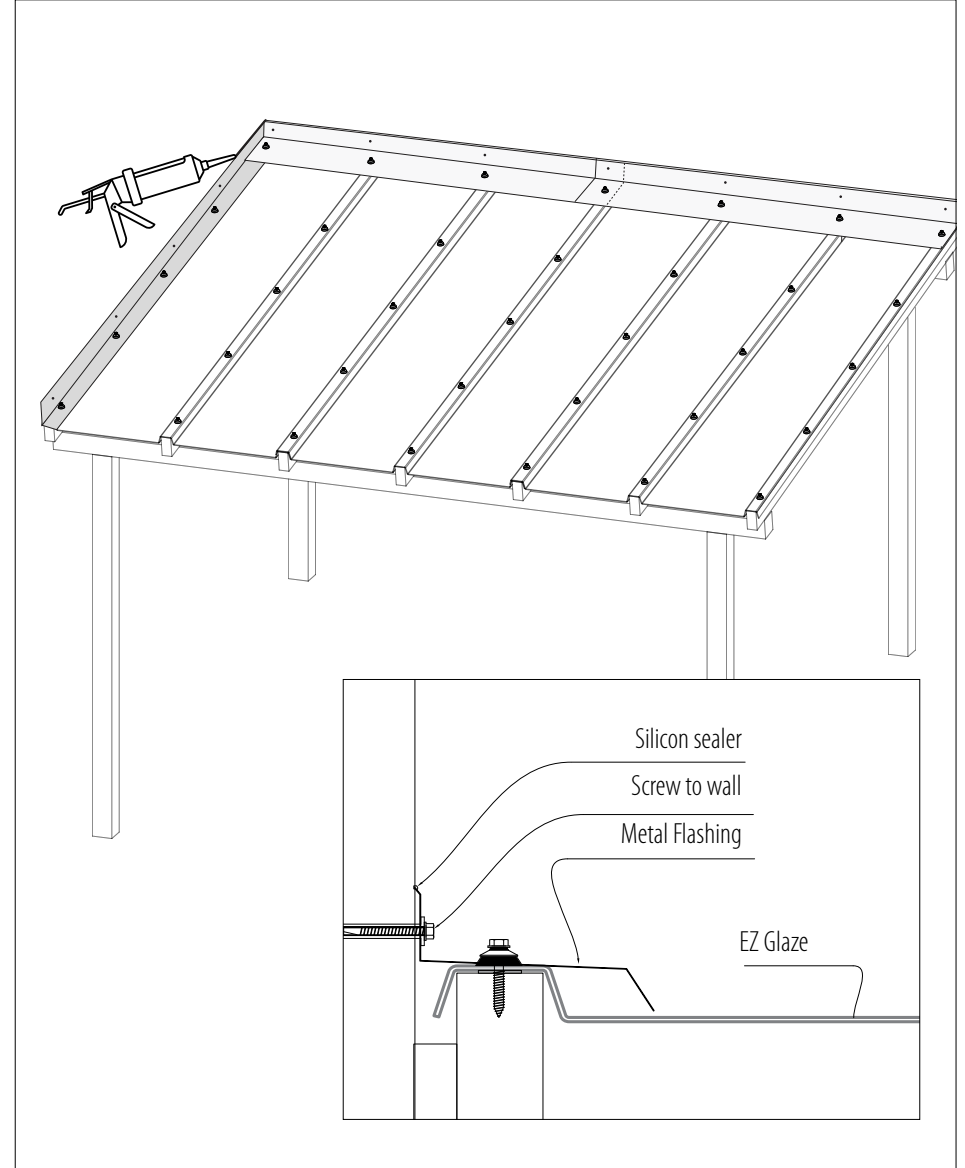


Installation - Typical Finishing Details (Flashing accessories supplied by others)

9 Applying Silicone

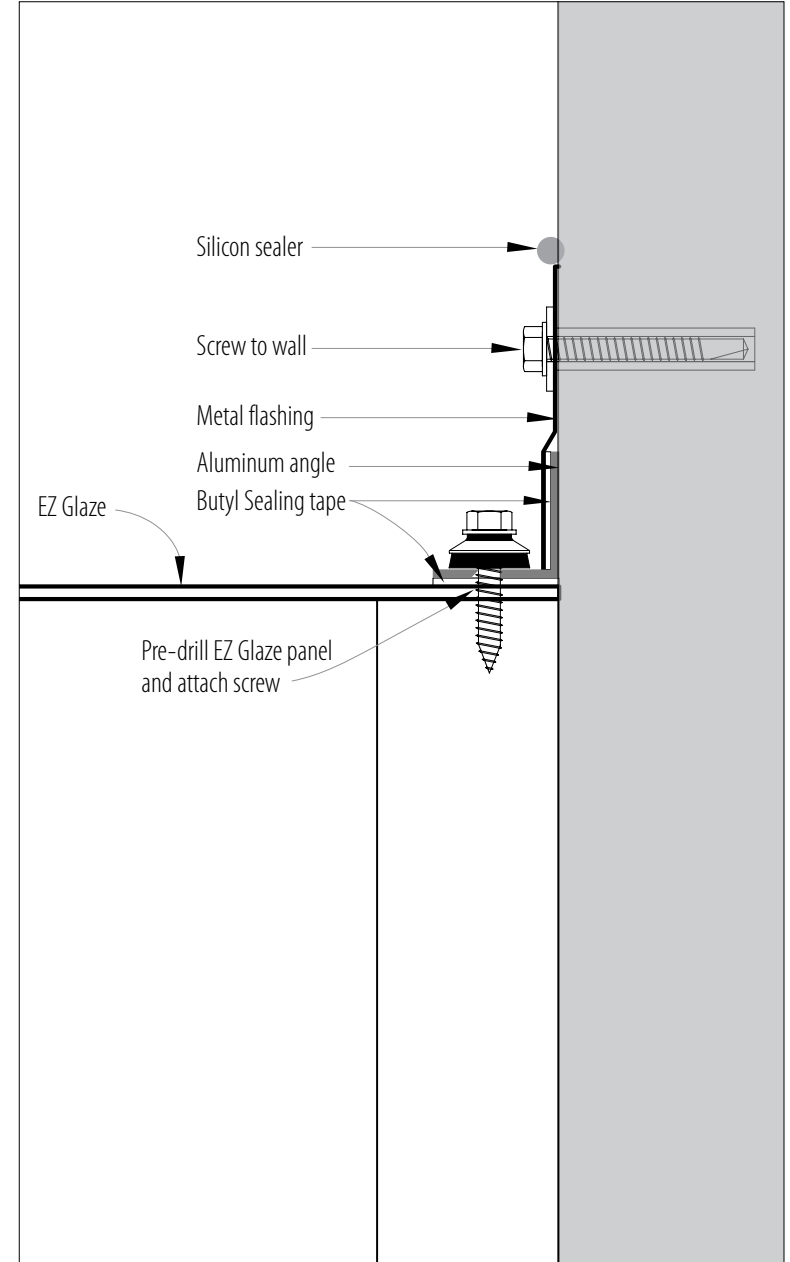
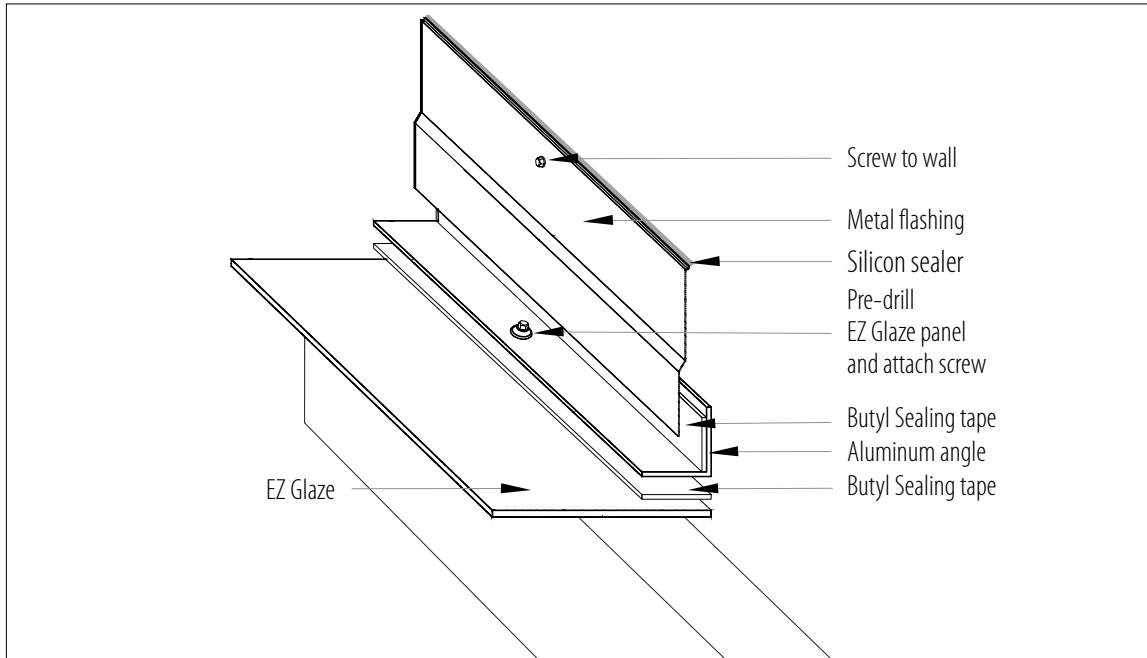
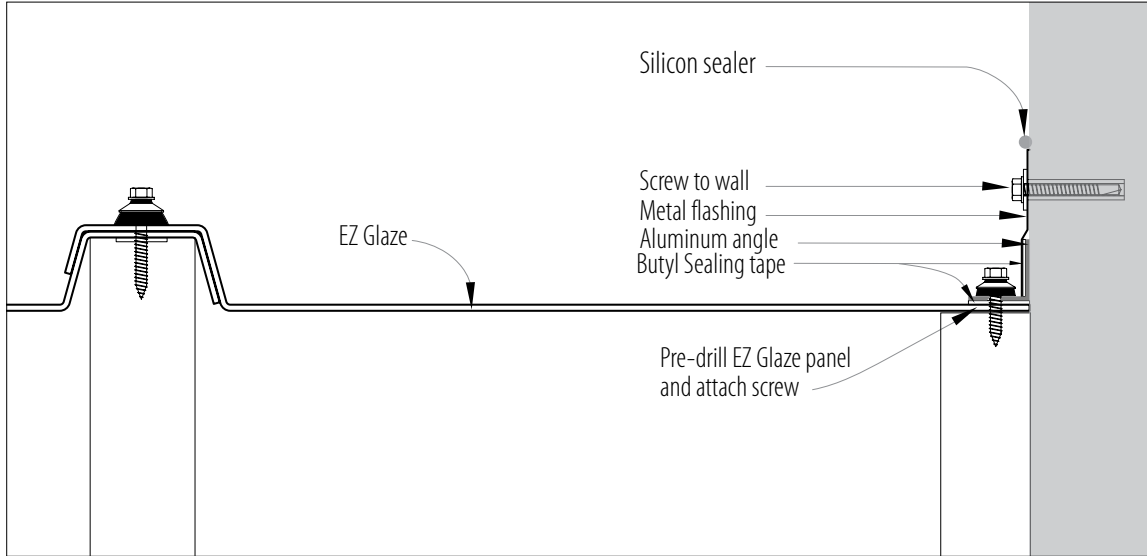


10 Side Wall Flashing



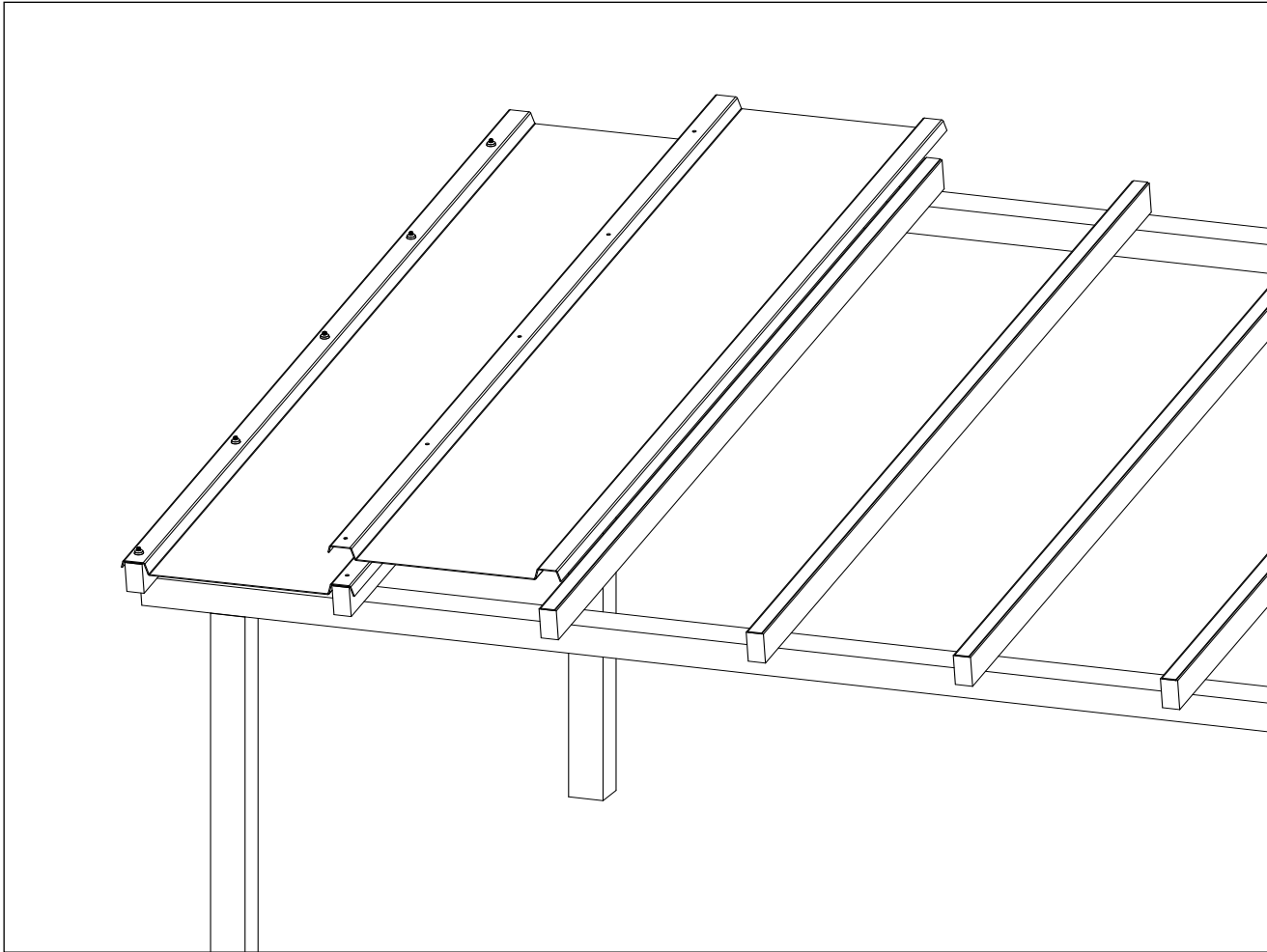
Installation - Typical Finishing Details (Flashing accessories supplied by others)

* Installing Side Wall Flashing with trimmed EZ Glaze





EZ Glaze™ | Installation Guide



Distributed By EZ Outdoor Coverings



833-937-9918



sales@ezoutdoorcoverings.com



235 Grimley St, Kutztown, PA 19530 PO BOX #: 82290

